







Art. No: **HP10444**

Art. No: **HP10445 MKII**

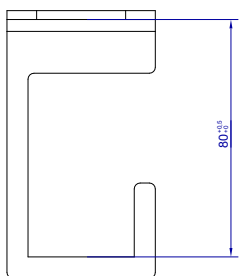
-  **HP10444** Made from elektro-zinkplated sheet metal, easily hooked on post 35x35.
-  **HP10445 MKII** Hot dip galvanised that slides on the 35x35 post and stays above the “post-lock”.
-  Easily mounted and foot board locks using two $\varnothing 7$ mm holes.
-  Accessories for post HP12071 to meet and comply with EN13374.
-  Elektro-zinkplated / Hot dip galvanised.
-  Weights: 0,2kg / 0,4kg.



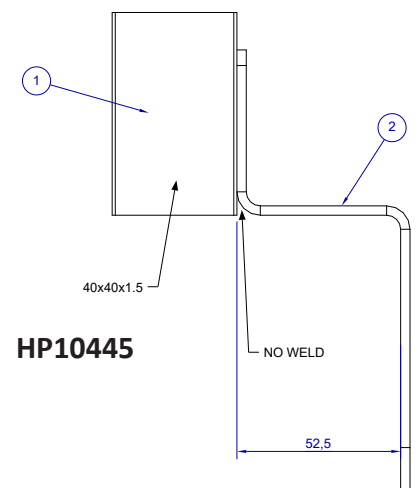
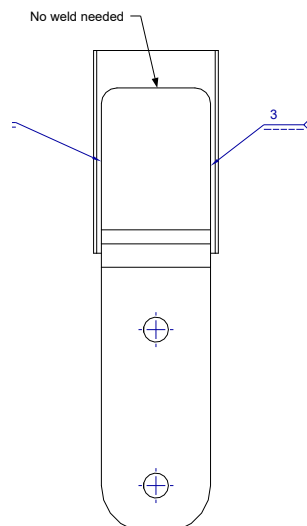
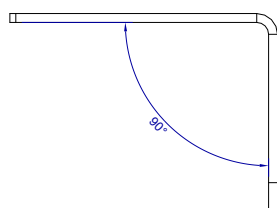
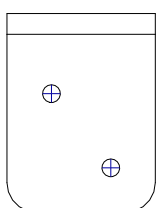
HP10444



HP10445



HP10444



HP10445