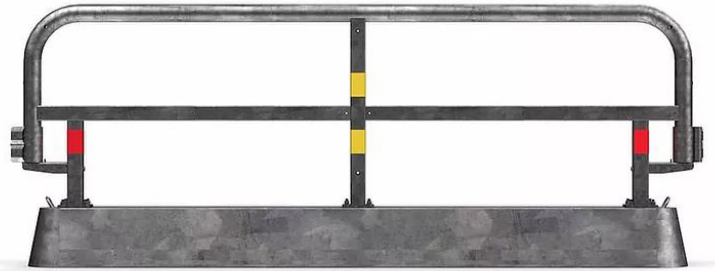










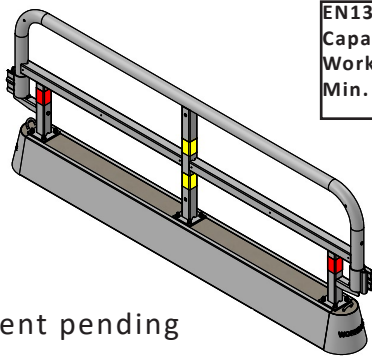
Art. No: **HP50300**

HSS Road Fence T1 in completely new version (HP50460 "Heavy Duty Barrier" is discontinued, but can be upgraded to be compatible with the T1 Road Fence)

Road Fence T1 is setting a new standard in the segment of semi-heavy barriers. It is approved to EN-1317, containment level T1. Equipped with a new patent pending and design protected connector that make connecting one barrier to another easy and safe.




-  Approved to EN-1317, containment level T1.
-  Working width: W6 (1,9 m).
-  Minimal installation length: 72 m.
-  Design protected in Sweden/EU, patent pending.
-  Rigid steel construction with concrete ballast.
-  In-built, self-contained connector.
-  Galvanized.
-  Weight: 435kg.



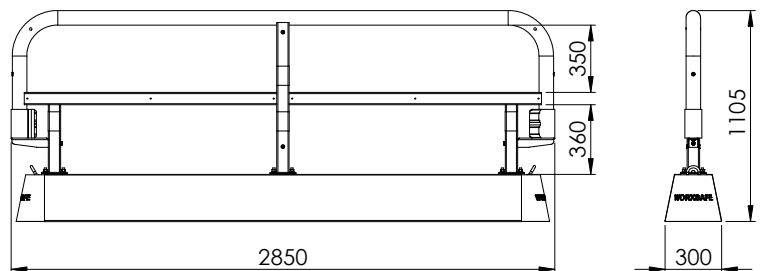
Patent pending

EN1317	
Capacityclass:	T1 (80km/h)
Working width:	W6 (1,9m)
Min. installation length:	72m

Galvanized

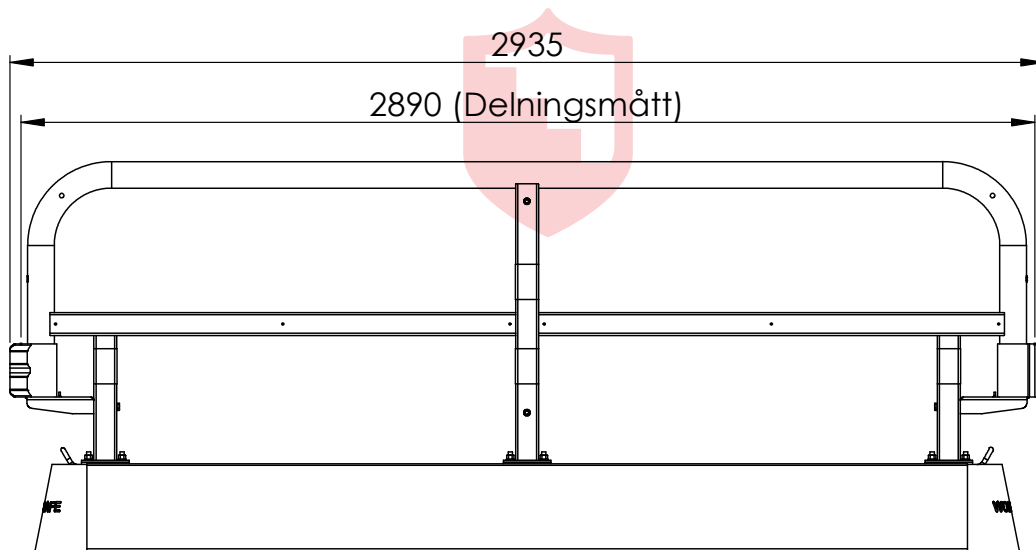
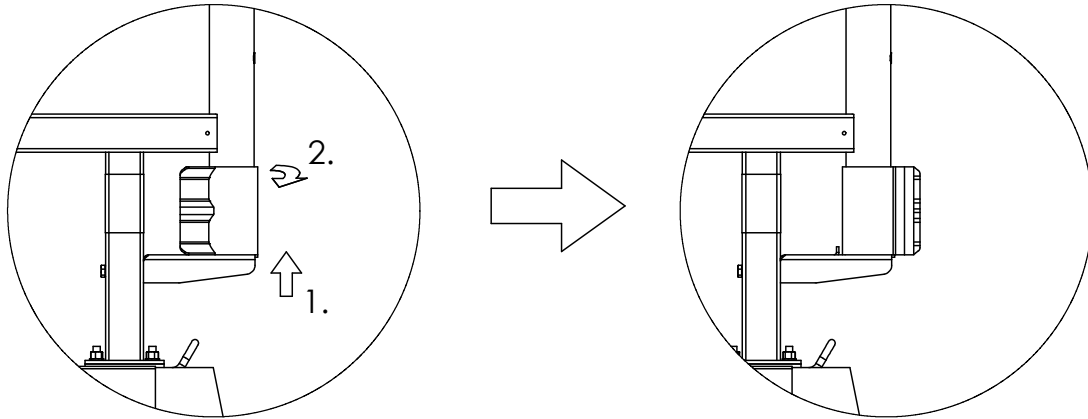
 Steel and concrete

 435

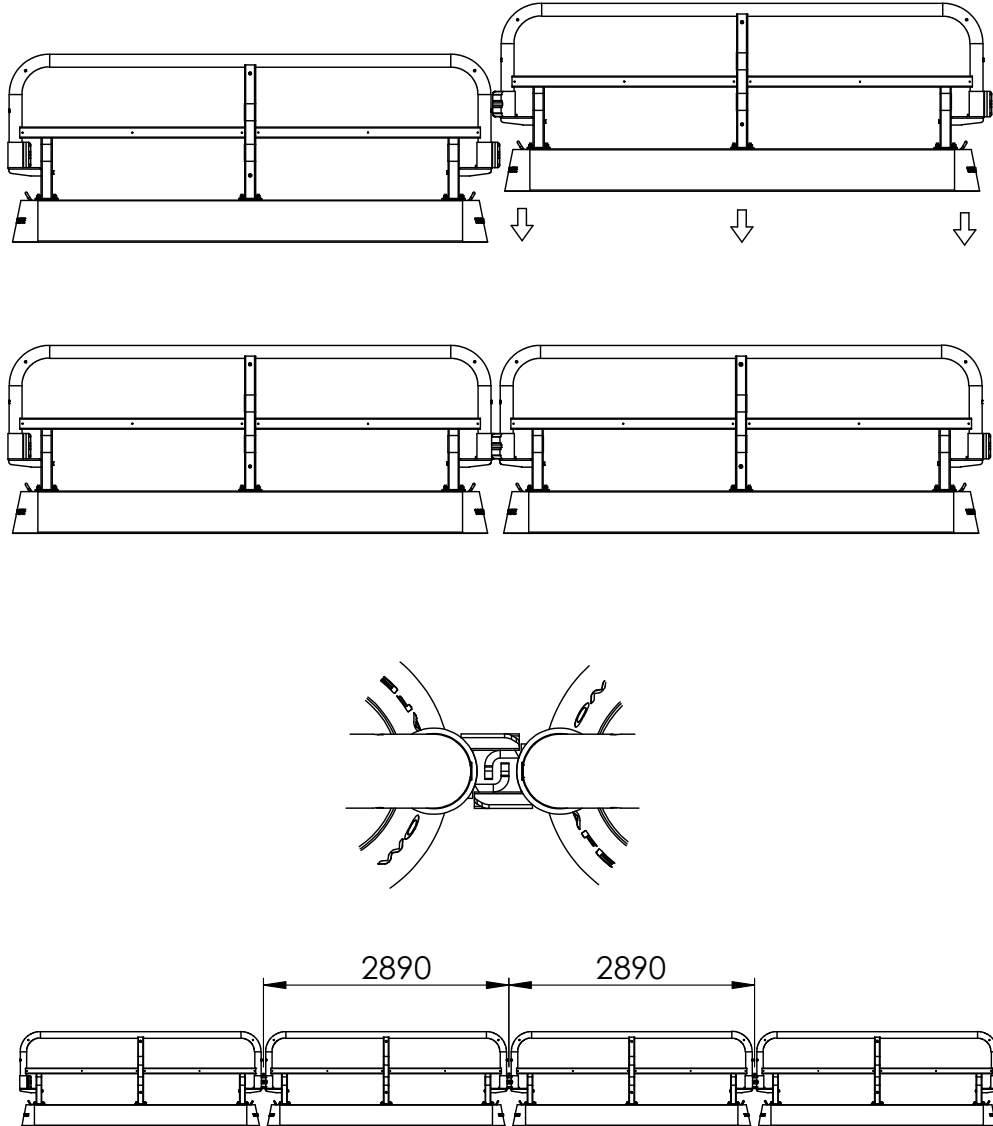


(Transportation mode)

Mounting

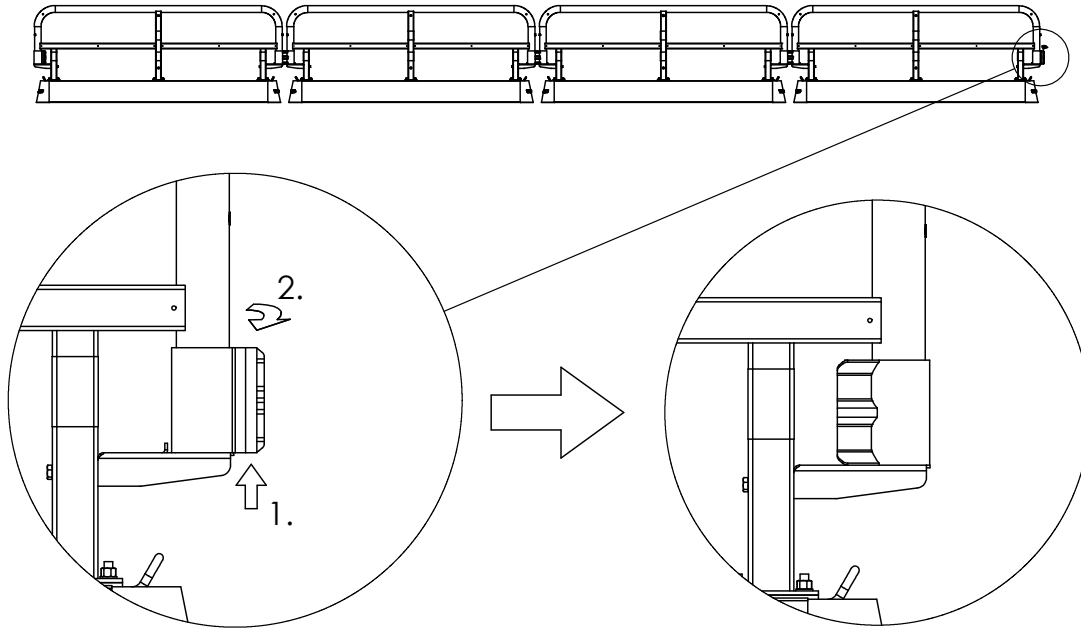


Mounting

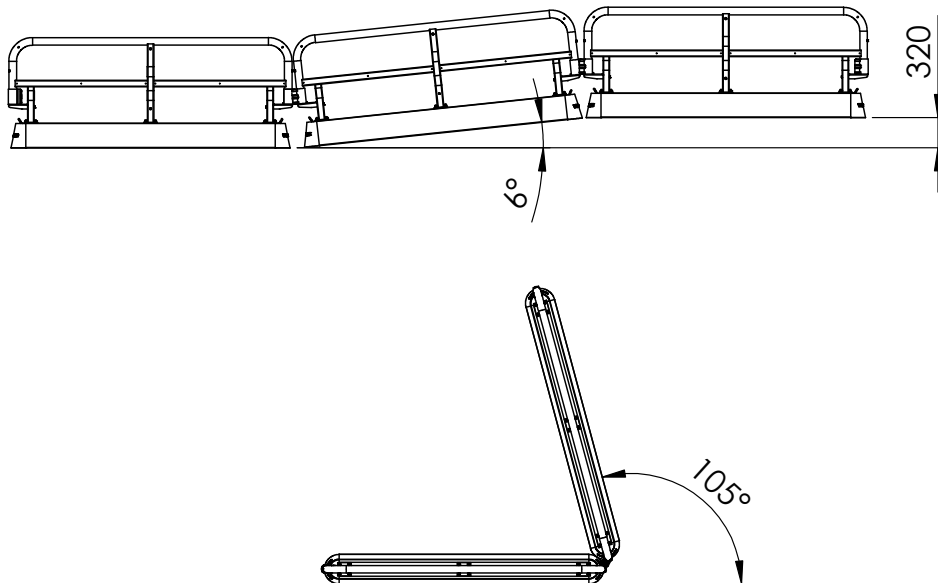


Keep hands and other body parts away from connecting parts when lifting to avoid injury.

Mounting

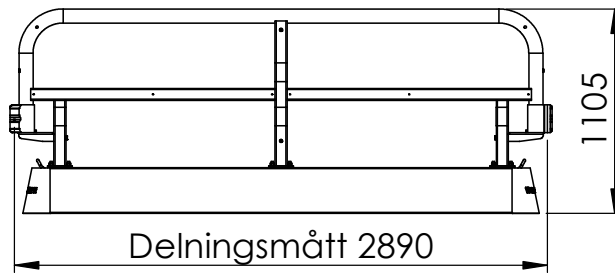


Angled possibilities



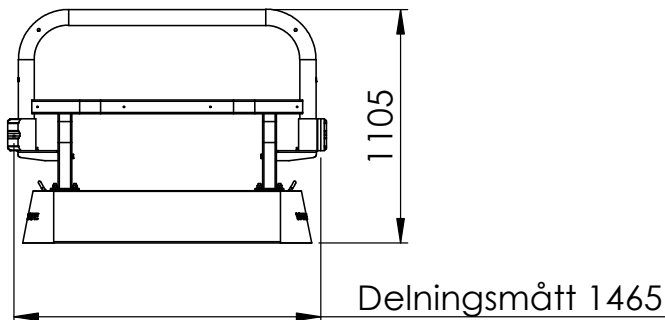
Product family

HP50300 Road Fence T1

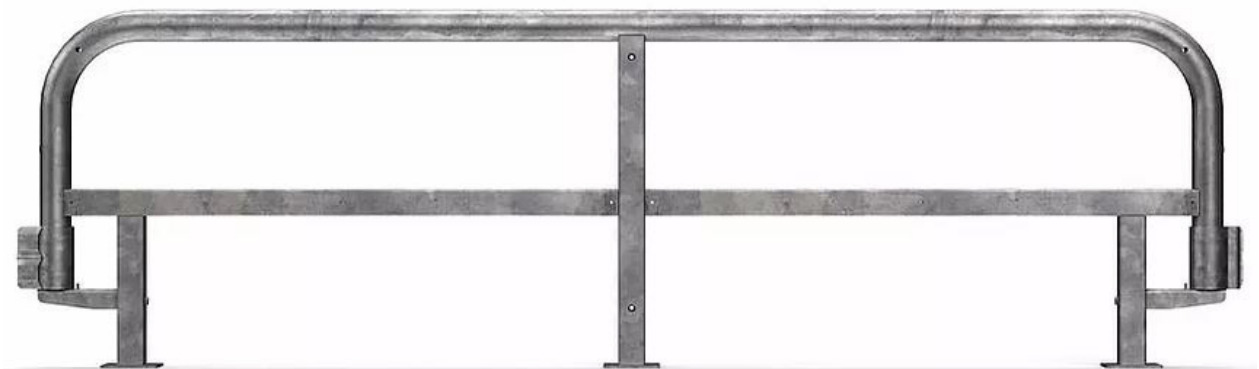


- Kapacitetsklass: T1(80km/h)
- Arbetsbredd: W6 (1,9 m)
- Min. installations längd: 72 m

HP50302 Road Fence



- For flexible installations



HP50283 Railing to use to upgrade old Heavy Duty barrier to comply with T1