




Art. No: **HP1017**

Accessorie for sitestair to increasy safety when mounting stairs on slabs or floors.

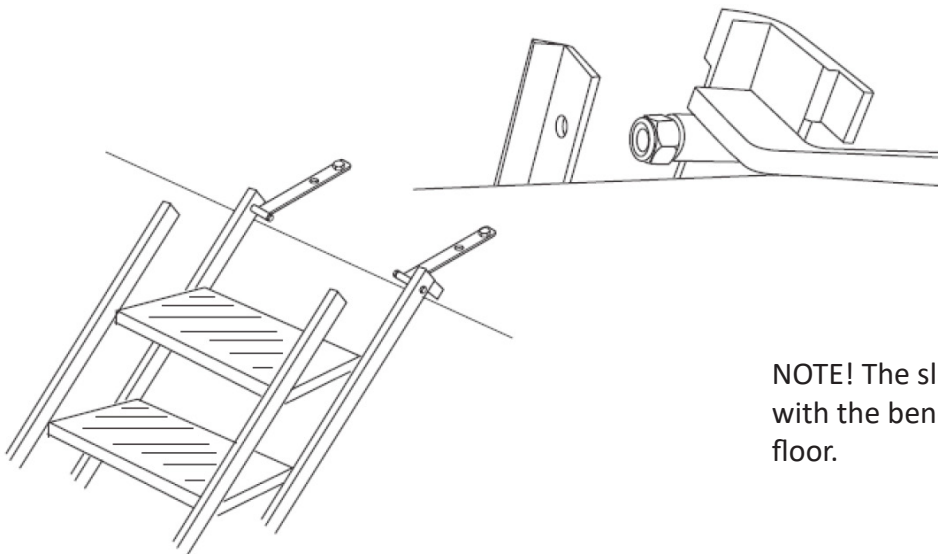
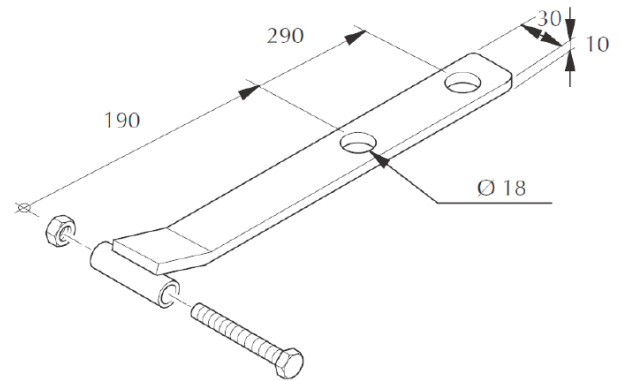
 Bolte to the stairs upper jointplate.

 Sold in pairs.

 Bolts are included.

 Hot dip galvanized..

 Weight: 0,8kg.



NOTE! The slab attachments must be mounted with the bended part facing up from the slab/ floor.